

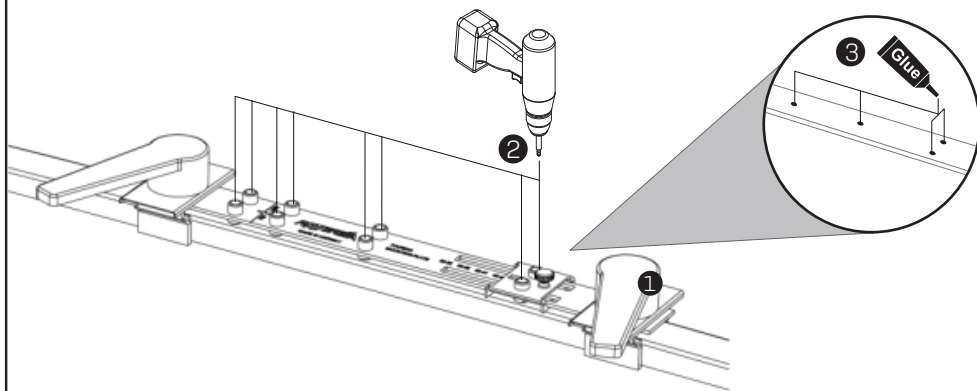
ROTFEFELLA

TOURING AUTO MOUNTING PLATE

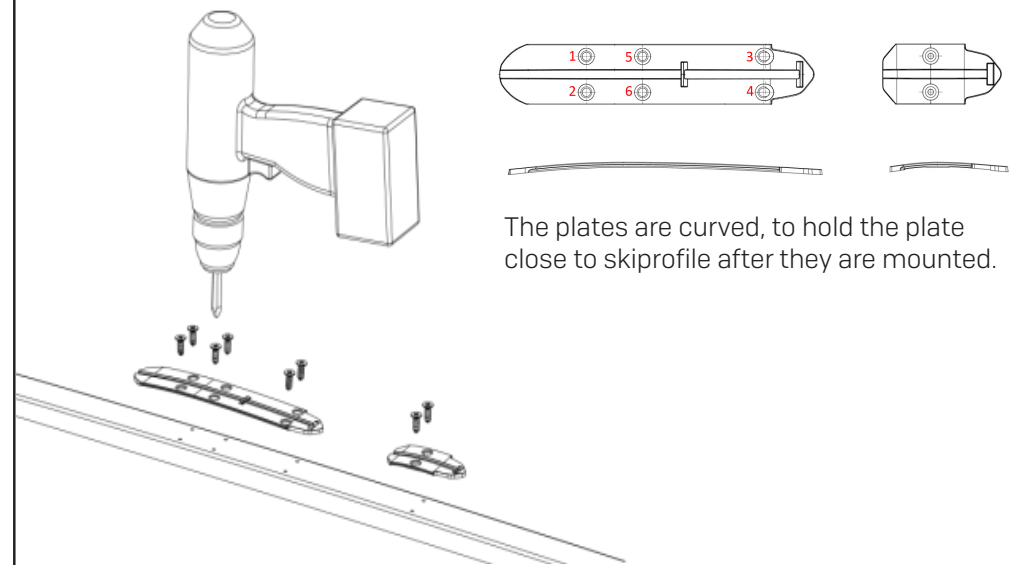


For roller ski: Use Rottefella Rollerski binding.

- 1 Place the jig pin line to the ski balance point. Adjust the slider over the shoe size scale. Remove the drilling shavings from holes and add binding glue. Follow the recommendations from the ski producers on type of glue.



- 2 Adjust heel to match shoe size and fasten the binding using the correct screw in each hole as illustrated below, Tighten screws manually in the sequence 1-6.



The plates are curved, to hold the plate close to skiprofile after they are mounted.



Max=3N/m