

ROTTEFELLA

ROTTEFELLA MOUNTING PLATE

Compatible with all NIS bindings:

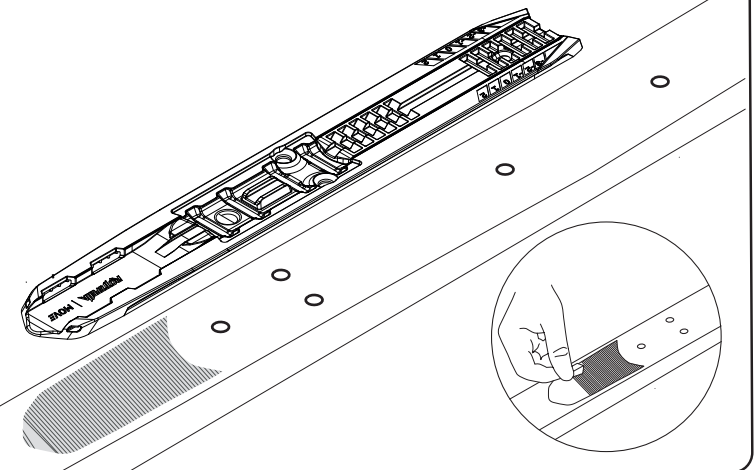
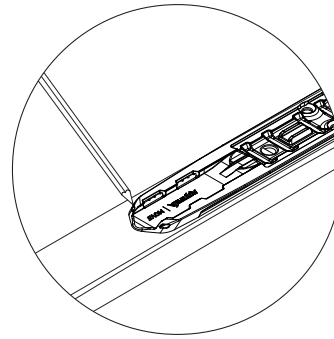
Rottefella MOVE Race for NIS 3.0
Rottefella MOVE Switch for NIS 3.0
Rottefella MOVE Tune for NIS 3.0
Xcelerator ProClassic/ProSkate
Xcelerator 2.0
Xcelerator Junior
Rottefella Performance
Rottefella Touring plate

Skis:

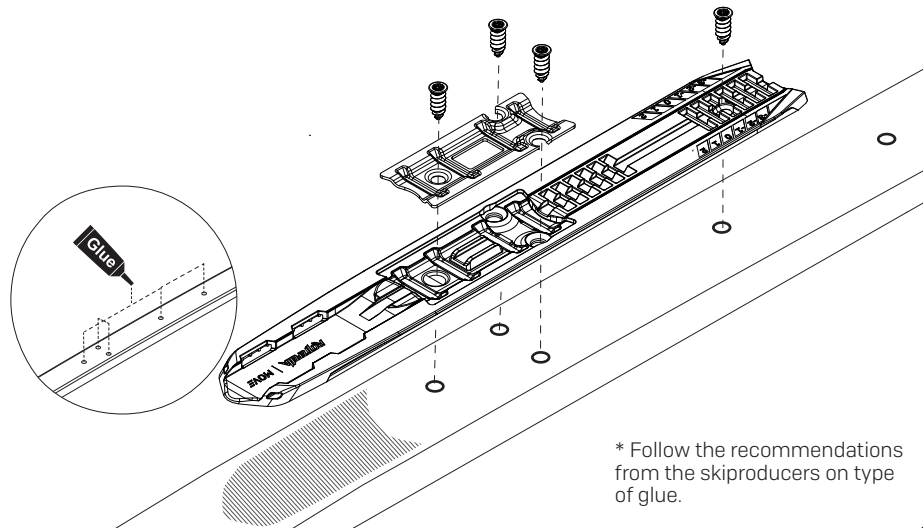
Pre-drilled Salomon skis
Pre-drilled Atomic skis

NB! You can remove existing bindings and mounting plates from pre-drilled skis and replace them with Rottefella Mounting Plate. The Rottefella Mounting plate is compatible with alle MOVE bindings.

- 1 Place the mounting plate onto the skis matching the pre-drilled holes. Mark with a pencil the area where the gluepad will be in contact with the ski. Use the abrasive pad and rub up the area within the marked area for 10 seconds. Use the cleaning cloth to remove the dust.



- 2 Glue* pre-drilled holes. Remove the plastic film from the gluepad under the front end of the mounting plate. Place the binding precisely within the pencil marked area. Press the area where the gluepad is for 10 seconds. Place the metal plate as shown and screw in all screws half way. Tighten by hand.



- 3 Connect the rear piece to the front. Tighten the screw carefully by hand.

