

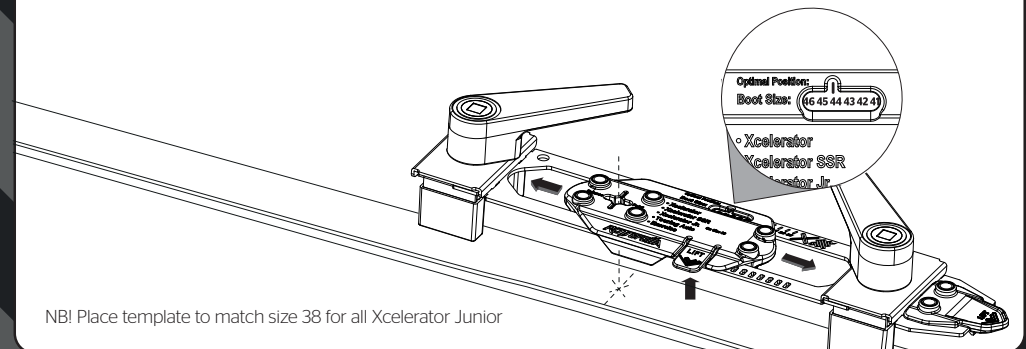
Xcelerator Mounting plate for Xcelerator bindings



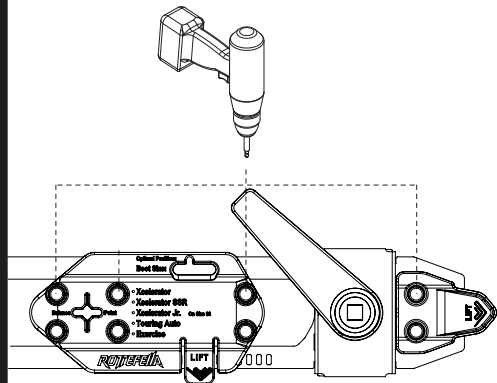
For Roller ski: Use Xcelerator Roller ski binding with safety screws only in combination with Xcelerator Mounting Plate with safety screws!

Length: 171 <	Xcelerator Xcelerator SSR		6,3 x 17,4
Length: 130-170	Xcelerator Junior (screws not included)		6 x 14

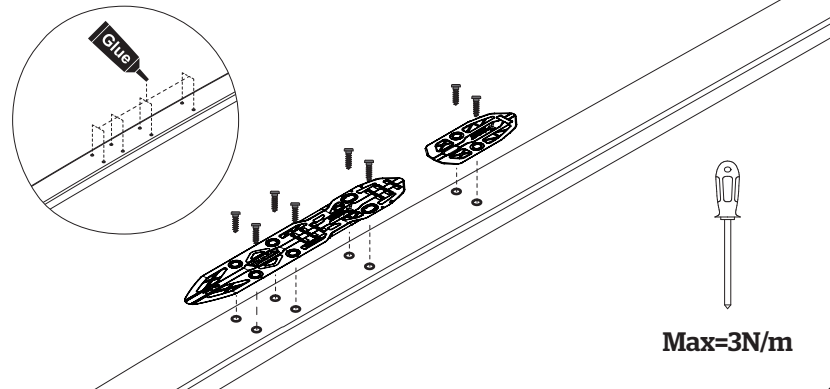
1 Lift lever and move insert to match boot size. (The large window shows compatible boot sizes.) Mount template according to balance point.



2 Drill holes and remove shavings.



4 Glue drill holes. Secure correct positioning of the mounting plate by screwing in all the screws halfway. Then tighten.



5 Mount Xcelerator ski binding from front, heel from back.

